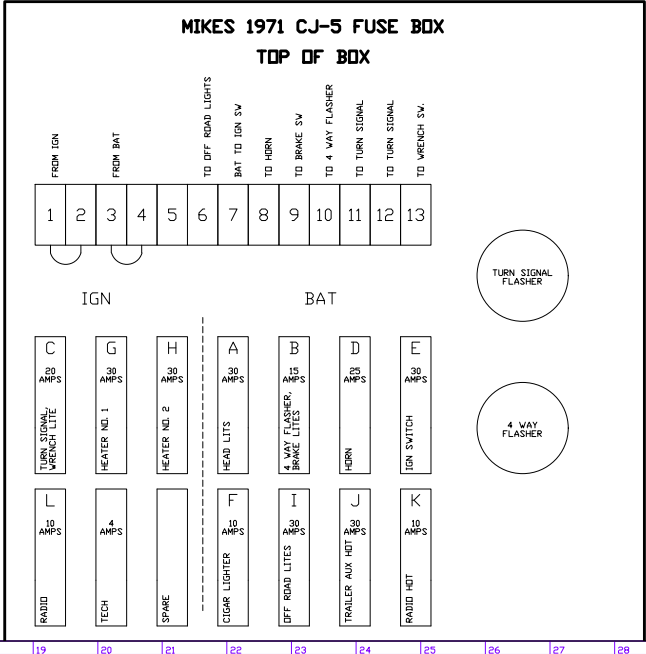
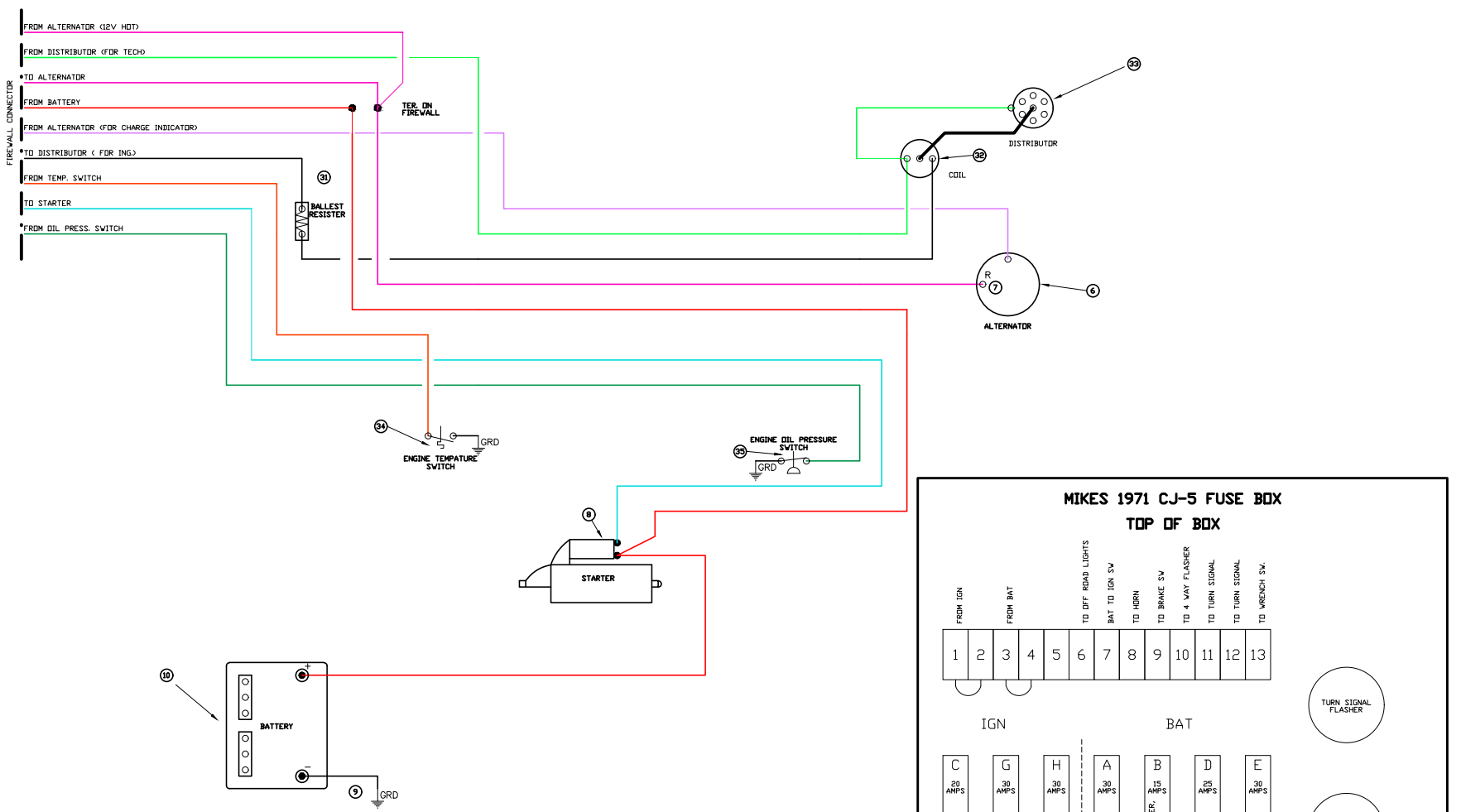
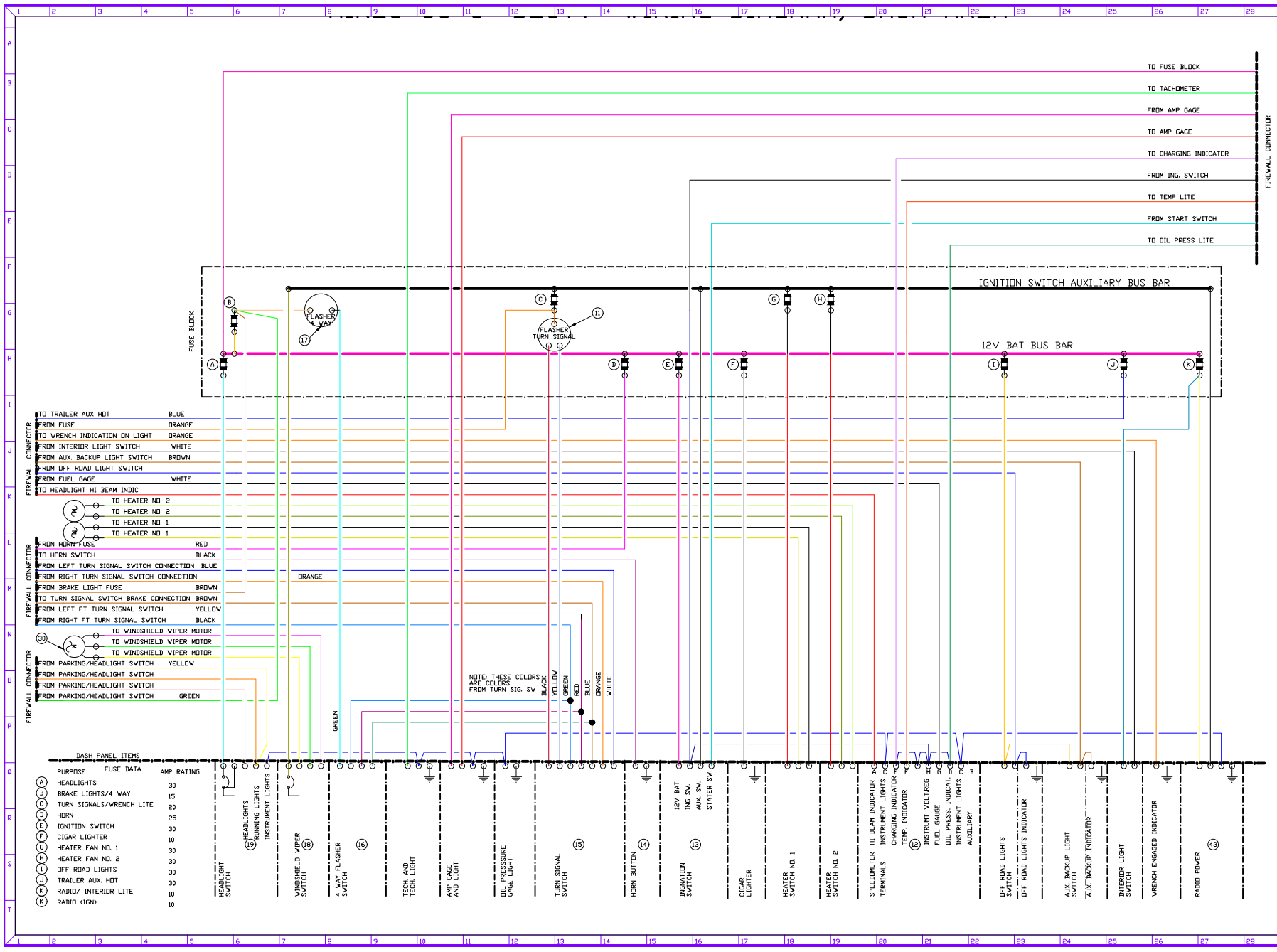


MIKES CJ-5 "BESTY" WIRING DIAGRAM, ENGINE AREA



REV.	ITEM	BY	DATE
REVISIONS			
H & H TECHNICAL LLC			
1949 SUGARLAND DRIVE, SUITE 134 SHERIDAN, W.V. 26001 307-672-0743			
XXXXXX XXXXXX XXXXXX			
XXXXXX XXXXXX XXXXXX			
MBH DRAWN BY	APPROVED BY	DATE	SCALE
XXX	XXX	XXXX	XXXX
JOB NO.	DATE	XXXX	DRAWING NO.
			0 REV.



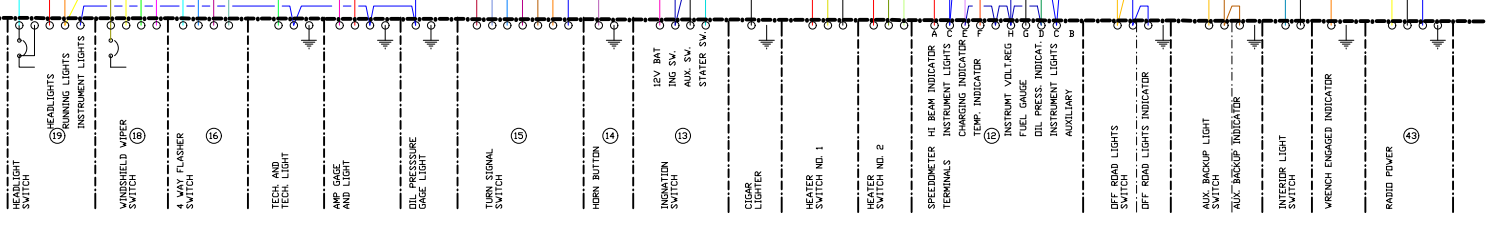
- FIREWALL CONNECTOR**
- TO TRAILER AUX HDT BLUE
 - FROM FUSE ORANGE
 - TO WRENCH INDICATION ON LIGHT ORANGE
 - FROM INTERIOR LIGHT SWITCH WHITE
 - FROM AUX. BACKUP LIGHT SWITCH BRDNWN
 - FROM OFF ROAD LIGHT SWITCH
 - FROM FUEL GAGE WHITE
- FIREWALL CONNECTOR**
- TO HEADLIGHT HI BEAM INDIC
 - TO HEATER NO. 2
 - TO HEATER NO. 2
 - TO HEATER NO. 1
 - TO HEATER NO. 1
- FIREWALL CONNECTOR**
- FROM HORN FUSE RED
 - TO HORN SWITCH BLACK
 - FROM LEFT TURN SIGNAL SWITCH CONNECTION BLUE
 - FROM RIGHT TURN SIGNAL SWITCH CONNECTION
 - FROM BRAKE LIGHT FUSE BROWN
 - TO TURN SIGNAL SWITCH BRAKE CONNECTION BROWN
 - FROM LEFT FT TURN SIGNAL SWITCH YELLOW
 - FROM RIGHT FT TURN SIGNAL SWITCH BLACK
- FIREWALL CONNECTOR**
- TO WINDSHIELD WIPER MOTOR
 - TO WINDSHIELD WIPER MOTOR
 - TO WINDSHIELD WIPER MOTOR
 - FROM PARKING/HEADLIGHT SWITCH YELLOW
 - FROM PARKING/HEADLIGHT SWITCH
 - FROM PARKING/HEADLIGHT SWITCH
 - FROM PARKING/HEADLIGHT SWITCH GREEN

NOTE: THESE COLORS ARE COLORS FROM TURN SIG. SW

- BLACK
- GREEN
- YELLOW
- RED
- BLUE
- ORANGE
- WHITE

DASH PANEL ITEMS

PURPOSE	FUSE DATA	AMP RATING
(A) HEADLIGHTS		30
(B) BRAKE LIGHTS/4 WAY		15
(C) TURN SIGNALS/WRENCH LITE		20
(D) HORN		30
(E) IGNITION SWITCH		30
(F) CIGAR LIGHTER		10
(G) HEATER FAN NO. 1		30
(H) HEATER FAN NO. 2		30
(I) OFF ROAD LIGHTS		30
(J) TRAILER AUX. HDT		30
(K) RADIO/ INTERIOR LITE		30
(L) RADIO (IGN)		10



TO FUSE BLOCK
TO TACHOMETER
FROM AMP GAGE
TO AMP GAGE
TO CHARGING INDICATOR
FROM ING. SWITCH
TO TEMP. LITE
FROM START SWITCH
TO OIL PRESS. LITE

REV.	ITEM	BY	DATE
REVISIONS			
H&H TECHNICAL, LLC 1949 SUGARLAND DRIVE, SUITE 194, SHERIDAN, WY. 82801 (307) 672-0743 BESTY'S XXX XXX XXX XXX XXX XXX XXX			
	MBH DRAWN BY	APPROVED BY	NONE SCALE
	XXX JOB NO.	XXX DATE	1 REV.
		XXX DRAWING NO.	

