

FIBER PATCH PANEL: NW-10 BILL OF MATERIAL					
ITEM NO.	QTY	DESCRIPTION	VENDOR	PART NUMBER	SUPPLIED BY
1	1	CONCEPT WALL MOUNTED ENCLOSURE	HOFFMAN	CSD242410SS	PANEL SHOP
2	1	BACK PANEL	HOFFMAN	CP2424	PANEL SHOP
3	1	ENCLOSURE MOUNTING BRACKET	HOFFMAN	CMFKSS	PANEL SHOP
4	A/R	35mm x 7.5mm x 57.4mm DIN RAIL	ALLEN-BRADLEY	1492-DR1	PANEL SHOP
5	A/R	1" x 4" WIREWAY LIGHT GREY W/ COVER	PANDUIT	G1X4LG6	PANEL SHOP
6	A/R	2" x 4" WIREWAY LIGHT GREY W/ COVER	PANDUIT	G2X4LG6	PANEL SHOP
7	A/R	3" x 4" WIREWAY LIGHT GREY W/ COVER	PANDUIT	G3X4LG6	PANEL SHOP
8	30	THREE-LEVEL TERMINAL BLOCK W/ GND POINT	ALLEN-BRADLEY	1492-JT3M	PANEL SHOP
9	1	TERMINAL MARKER	ALLEN-BRADLEY	1492-GM35	PANEL SHOP
10	3	END ANCHOR	ALLEN-BRADLEY	1492-EAJ35	PANEL SHOP
11	3	END BARRIER	ALLEN-BRADLEY	1492-EBJ3TM	PANEL SHOP
12	1	SNAP COMPACT FIBER OPTIC PATCH PANEL	DIN SPACE	SNAP-24LC-MM	PANEL SHOP
13	1	FIBER MANAGEMENT SLACK SPOOL KIT	PANDUIT	FMS1	PANEL SHOP
14	1	8-PORT DIN RAIL MOUNT COPPER PATCH PANEL	PANDUIT	CDPP8RG-S	PANEL SHOP
15	1	MANAGED GIGIBIT ETHERNET SWITCH W/ 14 10/100BASET(X) PORTS, 4 10/100/100BASESFP PORTS	MOXA	EDS-518E-4GTXSFP	PANEL SHOP
16	1	STRATIX 5400, 16 COPPER 10/100/1000 PORTS, 4 COMBO 10/100/1000 PORTS, LAYERS 2 FW	ALLEN-BRADLEY	1783-HMS16TG4CGN	PANEL SHOP
17	1	ETHERNET/IP TO MODBUS TCP/IP (FOR TF/ANALYZERS INTERFACE)	PROSOFT	PLX31-EIP-MBTCP	PANEL SHOP
18	1	ETHERNET/IP TO MODBUS SERIAL (FOR TF/ANALYZERS INTERFACE)	PROSOFT	PLX31-EIP-MBS4	PANEL SHOP
19	4	STRATIX FIBER SFP, 1000 MBIT CONNECTIVITY OVER MULTI-MODE FIBER (LC CONN.)	ALLEN-BRADLEY	1783-SFP1GSX	PANEL SHOP
20	4	SFP MODULE WITH 1 1000BASESX PORT WITH LC CONNECTOR FOR 300/550 M TRANSMISSION, -40 TO 85°C OPERATING TEMPERATURE	MOXA	SFP-1GSXLC-T	PANEL SHOP
21	4	LC-LC 10 GbE 50M 1.6mm DUPL 2 METER PATCH CABLE	PANDUIT	FXE10-10M2Y	PANEL SHOP

FIBER PATCH PANEL: NW-20 BILL OF MATERIAL					
ITEM NO.	QTY	DESCRIPTION	VENDOR	PART NUMBER	SUPPLIED BY
1	1	CONCEPT WALL MOUNTED ENCLOSURE	HOFFMAN	CSD242410SS	PANEL SHOP
2	1	BACK PANEL	HOFFMAN	CP2424	PANEL SHOP
3	1	ENCLOSURE MOUNTING BRACKET	HOFFMAN	CMFKSS	PANEL SHOP
4	A/R	35mm x 7.5mm x 57.4mm DIN RAIL	ALLEN-BRADLEY	1492-DR1	PANEL SHOP
5	A/R	1" x 4" WIREWAY LIGHT GREY W/ COVER	PANDUIT	G1X4LG6	PANEL SHOP
6	A/R	2" x 4" WIREWAY LIGHT GREY W/ COVER	PANDUIT	G2X4LG6	PANEL SHOP
7	A/R	3" x 4" WIREWAY LIGHT GREY W/ COVER	PANDUIT	G3X4LG6	PANEL SHOP
8	30	THREE-LEVEL TERMINAL BLOCK W/ GND POINT	ALLEN-BRADLEY	1492-JT3M	PANEL SHOP
9	1	TERMINAL MARKER	ALLEN-BRADLEY	1492-GM35	PANEL SHOP
10	3	END ANCHOR	ALLEN-BRADLEY	1492-EAJ35	PANEL SHOP
11	3	END BARRIER	ALLEN-BRADLEY	1492-EBJ3TM	PANEL SHOP
12	1	SNAP COMPACT FIBER OPTIC PATCH PANEL	DIN SPACE	SNAP-24LC-MM	PANEL SHOP
13	1	FIBER MANAGEMENT SLACK SPOOL KIT	PANDUIT	FMS1	PANEL SHOP
14	1	8-PORT DIN RAIL MOUNT COPPER PATCH PANEL	PANDUIT	XXXX	PANEL SHOP
15	1	MANAGED GIGIBIT ETHERNET SWITCH W/ 14 10/100BASET(X) PORTS, 4 10/100/100BASESFP PORTS	MOXA	EDS-518E-4GTXSFP	PANEL SHOP
16	1	STRATIX 5400, 16 COPPER 10/100/1000 PORTS, 4 COMBO 10/100/1000 PORTS, LAYERS 2 FW	ALLEN-BRADLEY	1783-HMS16TG4CGN	PANEL SHOP
17	1	ETHERNET/IP TO MODBUS TCP/IP (FOR COMPRESSORS)	PROSOFT	PLX31-EIP-MBTCP	PANEL SHOP
18	0	ETHERNET/IP TO MODBUS SERIAL	PROSOFT	PLX31-EIP-MBS4	PANEL SHOP
19	2	STRATIX FIBER SFP, 1000 MBIT CONNECTIVITY OVER MULTI-MODE FIBER (LC CONN.)	ALLEN-BRADLEY	1783-SFP1GSX	PANEL SHOP
20	2	SFP MODULE WITH 1 1000BASESX PORT WITH LC CONNECTOR FOR 300/550 M TRANSMISSION, -40 TO 85°C OPERATING TEMPERATURE	MOXA	SFP-1GSXLC-T	PANEL SHOP
21	4	LC-LC 10 GbE 50M 1.6mm DUPL 2 METER PATCH CABLE	PANDUIT	FXE10-10M2Y	PANEL SHOP




FIBER PATCH PANEL: NW-30 BILL OF MATERIAL					
ITEM NO.	QTY	DESCRIPTION	VENDOR	PART NUMBER	SUPPLIED BY
1	1	CONCEPT WALL MOUNTED ENCLOSURE	HOFFMAN	CSD242410SS	PANEL SHOP
2	1	BACK PANEL	HOFFMAN	CP2424	PANEL SHOP
3	1	ENCLOSURE MOUNTING BRACKET	HOFFMAN	CMFKSS	PANEL SHOP
4	A/R	35mm x 7.5mm x 57.4mm DIN RAIL	ALLEN-BRADLEY	1492-DR1	PANEL SHOP
5	A/R	1" x 4" WIREWAY LIGHT GREY W/ COVER	PANDUIT	G1X4LG6	PANEL SHOP
6	A/R	2" x 4" WIREWAY LIGHT GREY W/ COVER	PANDUIT	G2X4LG6	PANEL SHOP
7	A/R	3" x 4" WIREWAY LIGHT GREY W/ COVER	PANDUIT	G3X4LG6	PANEL SHOP
8	30	THREE-LEVEL TERMINAL BLOCK W/ GND POINT	ALLEN-BRADLEY	1492-JT3M	PANEL SHOP
9	1	TERMINAL MARKER	ALLEN-BRADLEY	1492-GM35	PANEL SHOP
10	3	END ANCHOR	ALLEN-BRADLEY	1492-EAJ35	PANEL SHOP
11	3	END BARRIER	ALLEN-BRADLEY	1492-EBJ3TM	PANEL SHOP
12	1	SNAP COMPACT FIBER OPTIC PATCH PANEL	DIN SPACE	SNAP-24LC-MM	PANEL SHOP
13	1	FIBER MANAGEMENT SLACK SPOOL KIT	PANDUIT	FMS1	PANEL SHOP
14	1	8-PORT DIN RAIL MOUNT COPPER PATCH PANEL	PANDUIT	XXXX	PANEL SHOP
15	1	MANAGED GIGIBIT ETHERNET SWITCH W/ 14 10/100BASET(X) PORTS, 4 10/100/100BASESFP PORTS	MOXA	EDS-518E-4GTXSFP	PANEL SHOP
16	1	STRATIX 5400, 16 COPPER 10/100/1000 PORTS, 4 COMBO 10/100/1000 PORTS, LAYERS 2 FW	ALLEN-BRADLEY	1783-HMS16TG4CGN	PANEL SHOP
17	0	ETHERNET/IP TO MODBUS TCP/IP	PROSOFT	PLX31-EIP-MBTCP	PANEL SHOP
18	0	ETHERNET/IP TO MODBUS SERIAL	PROSOFT	PLX31-EIP-MBS4	PANEL SHOP
19	2	STRATIX FIBER SFP, 1000 MBIT CONNECTIVITY OVER MULTI-MODE FIBER (LC CONN.)	ALLEN-BRADLEY	1783-SFP1GSX	PANEL SHOP
20	2	SFP MODULE WITH 1 1000BASESX PORT WITH LC CONNECTOR FOR 300/550 M TRANSMISSION, -40 TO 85°C OPERATING TEMPERATURE	MOXA	SFP-1GSXLC-T	PANEL SHOP
21	4	LC-LC 10 GbE 50M 1.6mm DUPL 2 METER PATCH CABLE	PANDUIT	FXE10-10M2Y	PANEL SHOP

FIBER PATCH PANEL: NW-40 BILL OF MATERIAL					
ITEM NO.	QTY	DESCRIPTION	VENDOR	PART NUMBER	SUPPLIED BY
1	1	CONCEPT WALL MOUNTED ENCLOSURE	HOFFMAN	CSD242410SS	PANEL SHOP
2	1	BACK PANEL	HOFFMAN	CP2424	PANEL SHOP
3	1	ENCLOSURE MOUNTING BRACKET	HOFFMAN	CMFKSS	PANEL SHOP
4	A/R	35mm x 7.5mm x 57.4mm DIN RAIL	ALLEN-BRADLEY	1492-DR1	PANEL SHOP
5	A/R	1" x 4" WIREWAY LIGHT GREY W/ COVER	PANDUIT	G1X4LG6	PANEL SHOP
6	A/R	2" x 4" WIREWAY LIGHT GREY W/ COVER	PANDUIT	G2X4LG6	PANEL SHOP
7	A/R	3" x 4" WIREWAY LIGHT GREY W/ COVER	PANDUIT	G3X4LG6	PANEL SHOP
8	30	THREE-LEVEL TERMINAL BLOCK W/ GND POINT	ALLEN-BRADLEY	1492-JT3M	PANEL SHOP
9	1	TERMINAL MARKER	ALLEN-BRADLEY	1492-GM35	PANEL SHOP
10	3	END ANCHOR	ALLEN-BRADLEY	1492-EAJ35	PANEL SHOP
11	3	END BARRIER	ALLEN-BRADLEY	1492-EBJ3TM	PANEL SHOP
12	1	SNAP COMPACT FIBER OPTIC PATCH PANEL	DIN SPACE	SNAP-24LC-MM	PANEL SHOP
13	1	FIBER MANAGEMENT SLACK SPOOL KIT	PANDUIT	FMS1	PANEL SHOP
14	1	8-PORT DIN RAIL MOUNT COPPER PATCH PANEL	PANDUIT	XXXX	PANEL SHOP
15	1	MANAGED GIGIBIT ETHERNET SWITCH W/ 14 10/100BASET(X) PORTS, 4 10/100/100BASESFP PORTS	MOXA	EDS-518E-4GTXSFP	PANEL SHOP
16	1	STRATIX 5400, 16 COPPER 10/100/1000 PORTS, 4 COMBO 10/100/1000 PORTS, LAYERS 2 FW	ALLEN-BRADLEY	1783-HMS16TG4CGN	PANEL SHOP
17	1	ETHERNET/IP TO MODBUS TCP/IP (FOR REFRIG COMPRESSORS)	PROSOFT	PLX31-EIP-MBTCP	PANEL SHOP
18	1	ETHERNET/IP TO MODBUS SERIAL (FOR FUEL GAS MVS/ANALYZERS)	PROSOFT	PLX31-EIP-MBS4	PANEL SHOP
19	2	STRATIX FIBER SFP, 1000 MBIT CONNECTIVITY OVER MULTI-MODE FIBER (LC CONN.)	ALLEN-BRADLEY	1783-SFP1GSX	PANEL SHOP
20	2	SFP MODULE WITH 1 1000BASESX PORT WITH LC CONNECTOR FOR 300/550 M TRANSMISSION, -40 TO 85°C OPERATING TEMPERATURE	MOXA	SFP-1GSXLC-T	PANEL SHOP
21	4	LC-LC 10 GbE 50M 1.6mm DUPL 2 METER PATCH CABLE	PANDUIT	FXE10-10M2Y	PANEL SHOP

FIBER PATCH PANEL: NW-50 BILL OF MATERIAL					
ITEM NO.	QTY	DESCRIPTION	VENDOR	PART NUMBER	SUPPLIED BY
1	1	CONCEPT WALL MOUNTED ENCLOSURE	HOFFMAN	CSD242410SS	PANEL SHOP
2	1	BACK PANEL	HOFFMAN	CP2424	PANEL SHOP
3	1	ENCLOSURE MOUNTING BRACKET	HOFFMAN	CMFKSS	PANEL SHOP
4	A/R	35mm x 7.5mm x 57.4mm DIN RAIL	ALLEN-BRADLEY	1492-DR1	PANEL SHOP
5	A/R	1" x 4" WIREWAY LIGHT GREY W/ COVER	PANDUIT	G1X4LG6	PANEL SHOP
6	A/R	2" x 4" WIREWAY LIGHT GREY W/ COVER	PANDUIT	G2X4LG6	PANEL SHOP
7	A/R	3" x 4" WIREWAY LIGHT GREY W/ COVER	PANDUIT	G3X4LG6	PANEL SHOP
8	30	THREE-LEVEL TERMINAL BLOCK W/ GND POINT	ALLEN-BRADLEY	1492-JT3M	PANEL SHOP
9	1	TERMINAL MARKER	ALLEN-BRADLEY	1492-GM35	PANEL SHOP
10	3	END ANCHOR	ALLEN-BRADLEY	1492-EAJ35	PANEL SHOP
11	3	END BARRIER	ALLEN-BRADLEY	1492-EBJ3TM	PANEL SHOP
12	1	SNAP COMPACT FIBER OPTIC PATCH PANEL	DIN SPACE	SNAP-24LC-MM	PANEL SHOP
13	1	FIBER MANAGEMENT SLACK SPOOL KIT	PANDUIT	FMS1	PANEL SHOP
14	1	8-PORT DIN RAIL MOUNT COPPER PATCH PANEL	PANDUIT	XXXX	PANEL SHOP
15	1	MANAGED GIGIBIT ETHERNET SWITCH W/ 14 10/100BASET(X) PORTS, 4 10/100/100BASESFP PORTS	MOXA	EDS-518E-4GTXSFP	PANEL SHOP
16	1	STRATIX 5400, 16 COPPER 10/100/1000 PORTS, 4 COMBO 10/100/1000 PORTS, LAYERS 2 FW	ALLEN-BRADLEY	1783-HMS16TG4CGN	PANEL SHOP
17	0	ETHERNET/IP TO MODBUS TCP/IP	PROSOFT	PLX31-EIP-MBTCP	PANEL SHOP
18	0	ETHERNET/IP TO MODBUS SERIAL	PROSOFT	PLX31-EIP-MBS4	PANEL SHOP
19	2	STRATIX FIBER SFP, 1000 MBIT CONNECTIVITY OVER MULTI-MODE FIBER (LC CONN.)	ALLEN-BRADLEY	1783-SFP1GSX	PANEL SHOP
20	2	SFP MODULE WITH 1 1000BASESX PORT WITH LC CONNECTOR FOR 300/550 M TRANSMISSION, -40 TO 85°C OPERATING TEMPERATURE	MOXA	SFP-1GSXLC-T	PANEL SHOP
21	4	LC-LC 10 GbE 50M 1.6mm DUPL 2 METER PATCH CABLE	PANDUIT	FXE10-10M2Y	PANEL SHOP

THIS DRAWING AND OTHER RELATED DOCUMENTS, IS A PROPERTY OF LONEB. IT SHALL ONLY BE USED FOR PURPOSES AUTHORIZED IN WRITING BY THE MANAGEMENT. ATTEMPTS OF COPYING, MODIFYING, STORING OR TRANSMITTING IN ANY FORM OR BY ANY MEANS (MECHANICAL, ELECTRONIC OR OTHERWISE) WITHOUT PRIOR AGREEMENT WITH LONEB IS HIGHLY PROHIBITED.

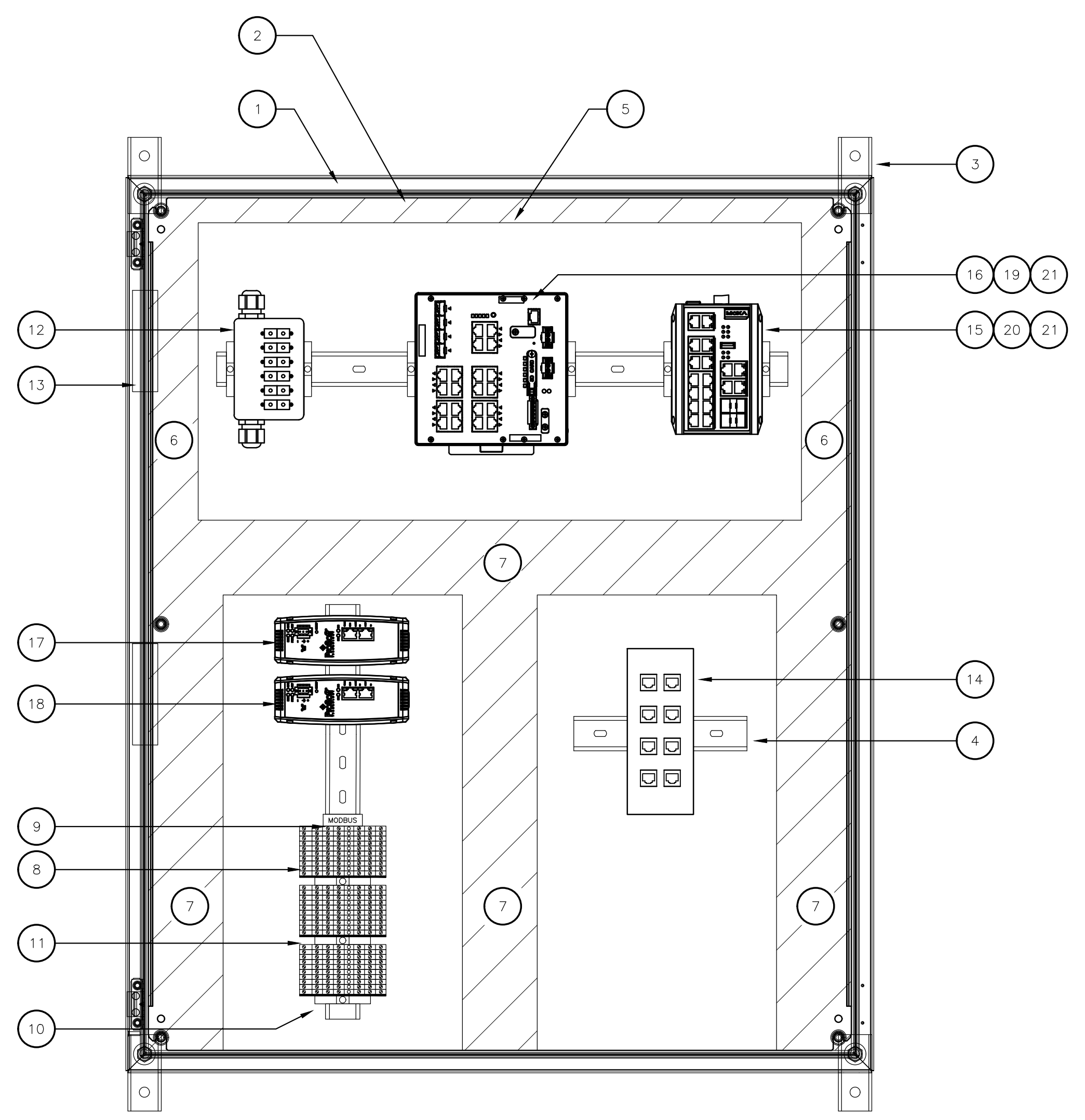
REF DWG. NO.	DESCRIPTION	REV	DESCRIPTION	DATE	BY	CHKD	LTES APV	LONEB APV	NPDC NWD APV
		B	ISSUED FOR APPROVAL	12/23/20	JOB	SRB	SCP		
		A	ISSUED FOR REVIEW	12/04/20	JOB	SRB	SCP		

AUTHORIZED FOR RELEASE						CLIENT			
TITLE		DATE	BY			 NIGERIAN PETROLEUM DEVELOPMENT COMPANY			
LTES PROJECT MANAGER									
LONEB PROJECT MANAGER									
 LONE TREE ENGINEERING SERVICES 7807 E PEAKVIEW AVE, STE 150 CENTENNIAL, CO 80111, USA						 LONEB RESOURCES NIG. LTD			

DRAWN BY		DATE	LTES NO:	DWG. NO.	REV
A. HOGAN		09/24/19	SCALE: NONE	L1901-NPDC-INS-JBX-00001	B




UTOORGU GAS EXPANSION PROJECT UTOROGU, NIGERIA L1901-NPDC INSTRUMENTATION TYPICAL FIBER PATCH PANEL					
DRAWN BY		DATE	LTES NO:	DWG. NO.	REV
A. HOGAN		09/24/19	SCALE: NONE	L1901-NPDC-INS-JBX-00001	B

Plotted by: J05EPHBRND Date: 12/23/2020 12:45 PM Drawing: P:\High Country Sales\Instrumentation\L1901-NPDC-INS-JBX-00001.dwg

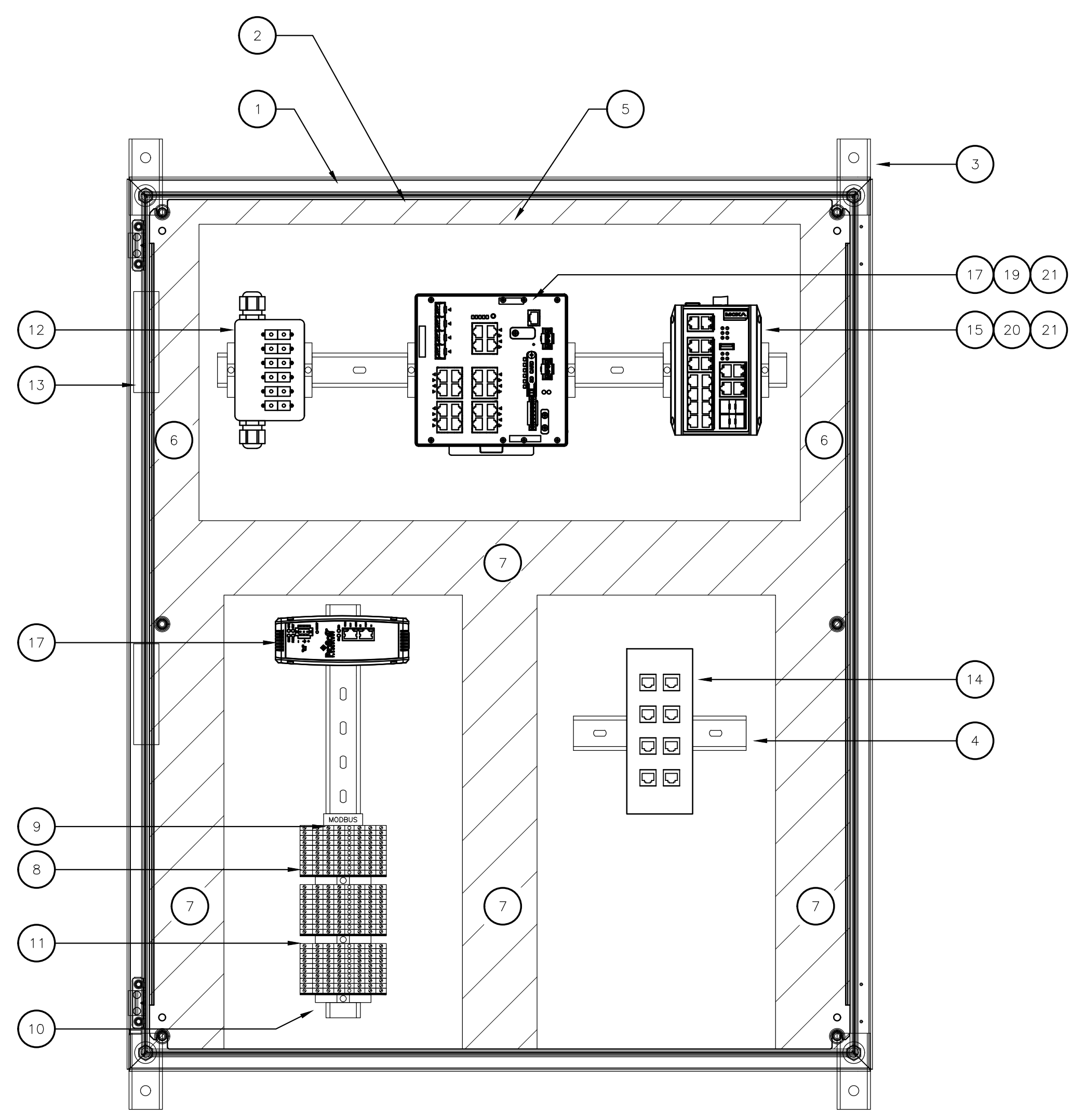


FRONT INSIDE VIEW
SCALE: 1:4

00301	
00304	
00303	FROM DWG INS-JBX-00012 PS-10 FU-09 { 01223-1 I/O NETWORK SW 01213-2 } FROM DWG INS-JBX-00012 PS-10 L09
00304	FROM DWG INS-JBX-00012 PS-10 FU-21 { 01238-1 PLANT NETWORK SW 01213-2 } FROM DWG INS-JBX-00012 PS-10 L21
00305	FROM DWG INS-JBX-00012 PS-10 FU-22 { 01239-1 PROSOFT 01213-2 } FROM DWG INS-JBX-00012 PS-10 L22
00306	FROM DWG INS-JBX-00012 PS-10 FU-23 { 01240-1 PROSOFT 01213-2 } FROM DWG INS-JBX-00012 PS-10 L23
00307	
00308	
00309	
00310	
00311	
00312	
00313	
00314	
00315	
00316	
00317	
00318	
00319	
00320	
00321	
00322	
00323	
00324	
00325	



THIS DRAWING AND OTHER RELATED DOCUMENTS, IS A PROPERTY OF LONEB. IT SHALL ONLY BE USED FOR PURPOSES AUTHORIZED IN WRITING BY THE MANAGEMENT. ATTEMPTS OF COPYING, MODIFYING, STORING OR TRANSMITTING IN ANY FORM OR BY ANY MEANS (MECHANICAL, ELECTRONIC OR OTHERWISE) WITHOUT PRIOR AGREEMENT WITH LONEB IS HIGHLY PROHIBITED.	REF DWG. NO.	DESCRIPTION	REV	DESCRIPTION	DATE	BY	CHKD	LTES APV	LONEB APV	NPDC NWD APV	AUTHORIZED FOR RELEASE TITLE DATE BY LTES PROJECT MANAGER LONEB PROJECT MANAGER	CLIENT  NIGERIAN PETROLEUM DEVELOPMENT COMPANY  LONEB RESOURCES NIG. LTD	UTOROGU GAS EXPANSION PROJECT (NAG-3) UTOROGU, NIGERIA L1901-NPDC INSTRUMENT FIBER PATCH PANEL, NW-10	DRAWN BY DATE LTES NO: 19016-00 DWG. NO: L1901-NPDC-INS-JBX-00003 SCALE: AS NOTED	REV B
			B	ISSUED FOR APPROVAL	12/23/20	JJB	SRB	SCP				 LONE TREE ENGINEERING SERVICES 7807 E PEAKVIEW AVE, STE 150 CENTENNIAL, CO 80111, USA			

Plotted by: JOSEPH BOND Date: 12/23/2020 12:49 PM Drawing: P:\High Country Sales\Utorogu_Cryo Drawings\Electrical-Instrumentation\L1901-NPDC-INS-JBX-00003.dwg

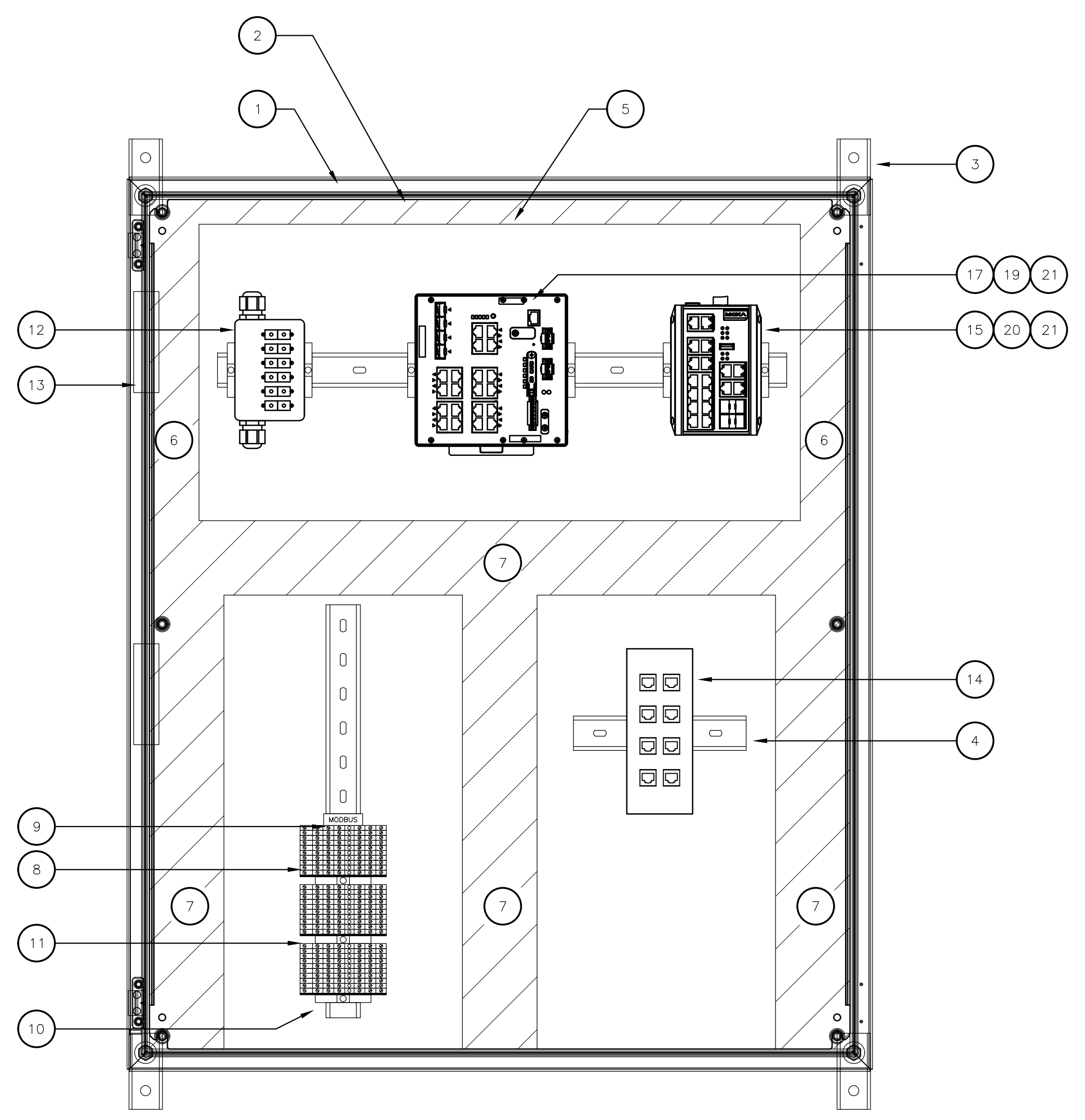


FRONT INSIDE VIEW
SCALE: 1:4

00401	
00404	
00403	FROM DWG INS-JBX-00014 PS-20 FU-09 { 01423-1 I/O NETWORK SW 01413-2 } FROM DWG INS-JBX-00014 PS-20 L09
00404	FROM DWG INS-JBX-00014 PS-20 FU-21 { 01438-1 PLANT NETWORK SW 01413-2 } FROM DWG INS-JBX-00014 PS-20 L21
00405	FROM DWG INS-JBX-00014 PS-20 FU-22 { 01439-1 PROSOFT 01413-2 } FROM DWG INS-JBX-00014 PS-20 L22
00406	
00407	
00408	
00409	
00410	
00411	
00412	
00413	
00414	
00415	
00416	
00417	
00418	
00419	
00420	
00421	
00422	
00423	
00424	
00425	

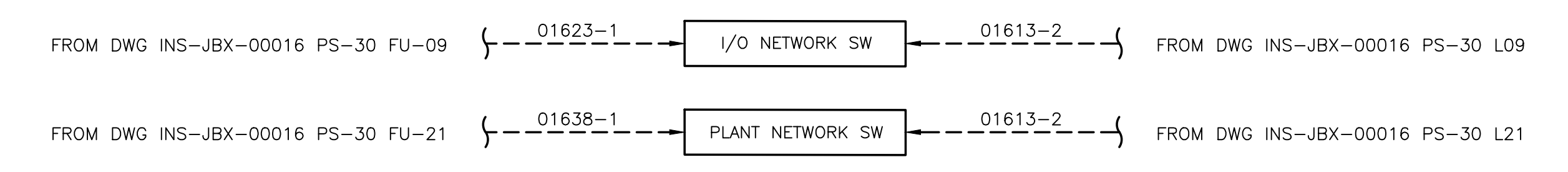
THIS DRAWING AND OTHER RELATED DOCUMENTS, IS A PROPERTY OF LONEB. IT SHALL ONLY BE USED FOR PURPOSES AUTHORIZED IN WRITING BY THE MANAGEMENT. ATTEMPTS OF COPYING, MODIFYING, STORING OR TRANSMITTING IN ANY FORM OR BY ANY MEANS (MECHANICAL, ELECTRONIC OR OTHERWISE) WITHOUT PRIOR AGREEMENT WITH LONEB IS HIGHLY PROHIBITED.	REF DWG. NO.	DESCRIPTION	REV	DESCRIPTION	DATE	BY	CHKD	LTES APV	LONEB APV	NPDC NWD APV	AUTHORIZED FOR RELEASE TITLE DATE BY LTES PROJECT MANAGER LONEB PROJECT MANAGER	CLIENT  NIGERIAN PETROLEUM DEVELOPMENT COMPANY  LONEB RESOURCES NIG. LTD	UTOROGU GAS EXPANSION PROJECT (NAG-3) UTOROGU, NIGERIA L1901-NPDC INSTRUMENT FIBER PATCH PANEL, NW-20	DRAWN BY DATE LTES NO: 19016-00 SCALE: AS NOTED	DWG. NO. L1901-NPDC-INS-JBX-00004	REV B
				B	ISSUED FOR APPROVAL	12/23/20	JJB	SRB	SCP							
			A	ISSUED FOR REVIEW	12/04/20	JJB	SRB	SCP								

Plotted by: JOSEPH BOND Date: 12/23/2020 12:52 PM Drawing: P:\High Country Sales\Utorogu_Cryo Drawings\Electrical-Instrumentation\L1901-NPDC-INS-JBX-00004.dwg



FRONT INSIDE VIEW
SCALE: 1:4

00501
00504
00503
00504
00505
00506
00507
00508
00509
00510
00511
00512
00513
00514
00515
00516
00517
00518
00519
00520
00521
00522
00523
00524
00525



THIS DRAWING AND OTHER RELATED DOCUMENTS, IS A PROPERTY OF LONEB. IT SHALL ONLY BE USED FOR PURPOSES AUTHORIZED IN WRITING BY THE MANAGEMENT. ATTEMPTS OF COPYING, MODIFYING, STORING OR TRANSMITTING IN ANY FORM OR BY ANY MEANS (MECHANICAL, ELECTRONIC OR OTHERWISE) WITHOUT PRIOR AGREEMENT WITH LONEB IS HIGHLY PROHIBITED.

REF DWG. NO.	DESCRIPTION	REV	DESCRIPTION	DATE	BY	CHKD	LTES APV	LONEB APV	NPDC NWD APV
		B	ISSUED FOR APPROVAL	12/23/20	JJB	SRB	SCP		
		A	ISSUED FOR REVIEW	12/04/20	JJB	SRB	SCP		

AUTHORIZED FOR RELEASE		
TITLE	DATE	BY
LTES PROJECT MANAGER		
LONEB PROJECT MANAGER		

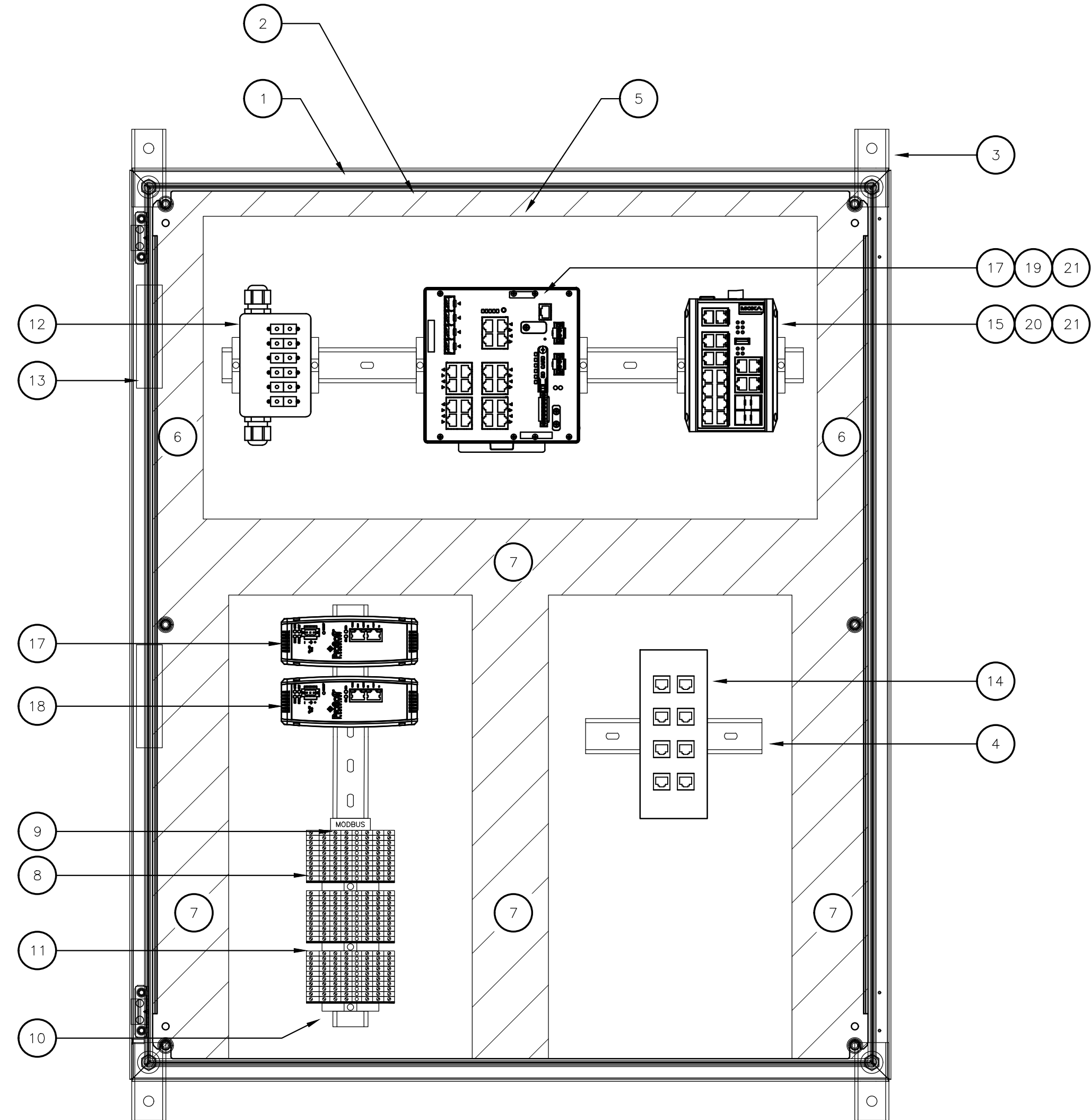
CLIENT

NIGERIAN PETROLEUM DEVELOPMENT COMPANY
Loneb
LONEB RESOURCES NIG. LTD

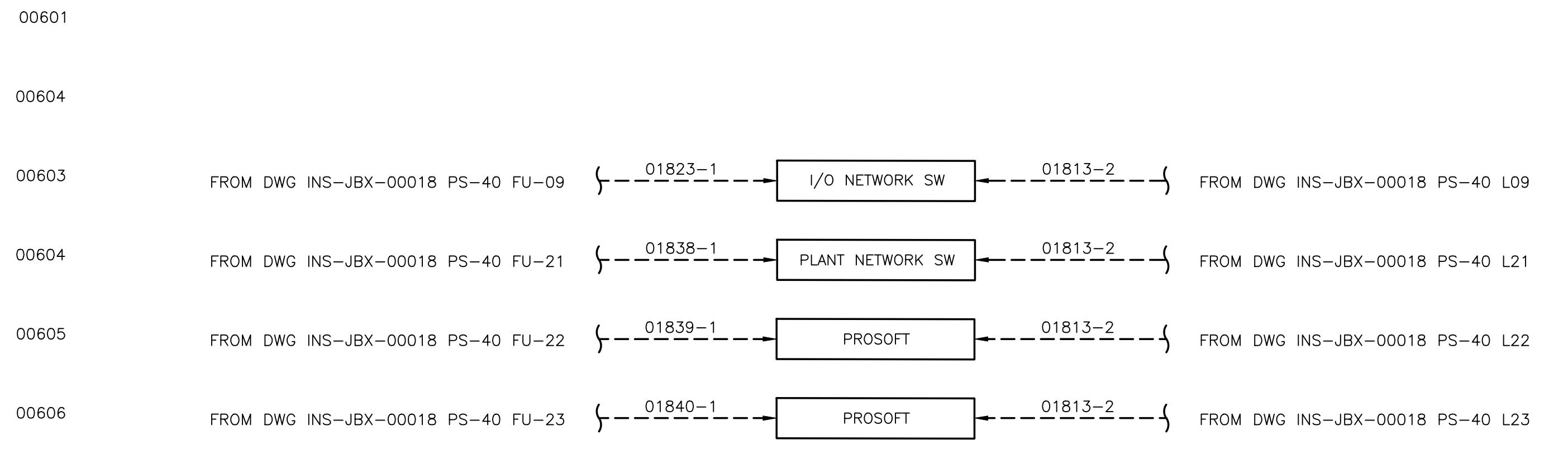
UTOROGU GAS EXPANSION PROJECT (NAG-3)
UTOROGU, NIGERIA
L1901-NPDC
INSTRUMENT
FIBER PATCH PANEL, NW-30

DRAWN BY	DATE	LTES NO: 19016-00	DWG. NO.	REV
		SCALE: AS NOTED	L1901-NPDC-INS-JBX-00005	B

Plotted by: JOSEPH BOND Date: 12/23/2020 12:53 PM Drawing: P:\High Country Sales\Utorogu Sales\Drawings\Electrical-Instrumentation\L1901-NPDC-INS-JBX-00005.dwg



FRONT INSIDE VIEW
SCALE: 1:4



00601
00604
00603
00604
00605
00606
00607
00608
00609
00610
00611
00612
00613
00614
00615
00616
00617
00618
00619
00620
00621
00622
00623
00624
00625

THIS DRAWING AND OTHER RELATED DOCUMENTS, IS A PROPERTY OF LONEB. IT SHALL ONLY BE USED FOR PURPOSES AUTHORIZED IN WRITING BY THE MANAGEMENT. ATTEMPTS OF COPYING, MODIFYING, STORING OR TRANSMITTING IN ANY FORM OR BY ANY MEANS (MECHANICAL, ELECTRONIC OR OTHERWISE) WITHOUT PRIOR AGREEMENT WITH LONEB IS HIGHLY PROHIBITED.

REF DWG. NO.	DESCRIPTION	REV	DESCRIPTION	DATE	BY	CHKD	LTES APV	LONEB APV	NPDC NWD APV
		B	ISSUED FOR APPROVAL	12/23/20	JJB	SRB	SCP		
		A	ISSUED FOR REVIEW	12/04/20	JJB	SRB	SCP		

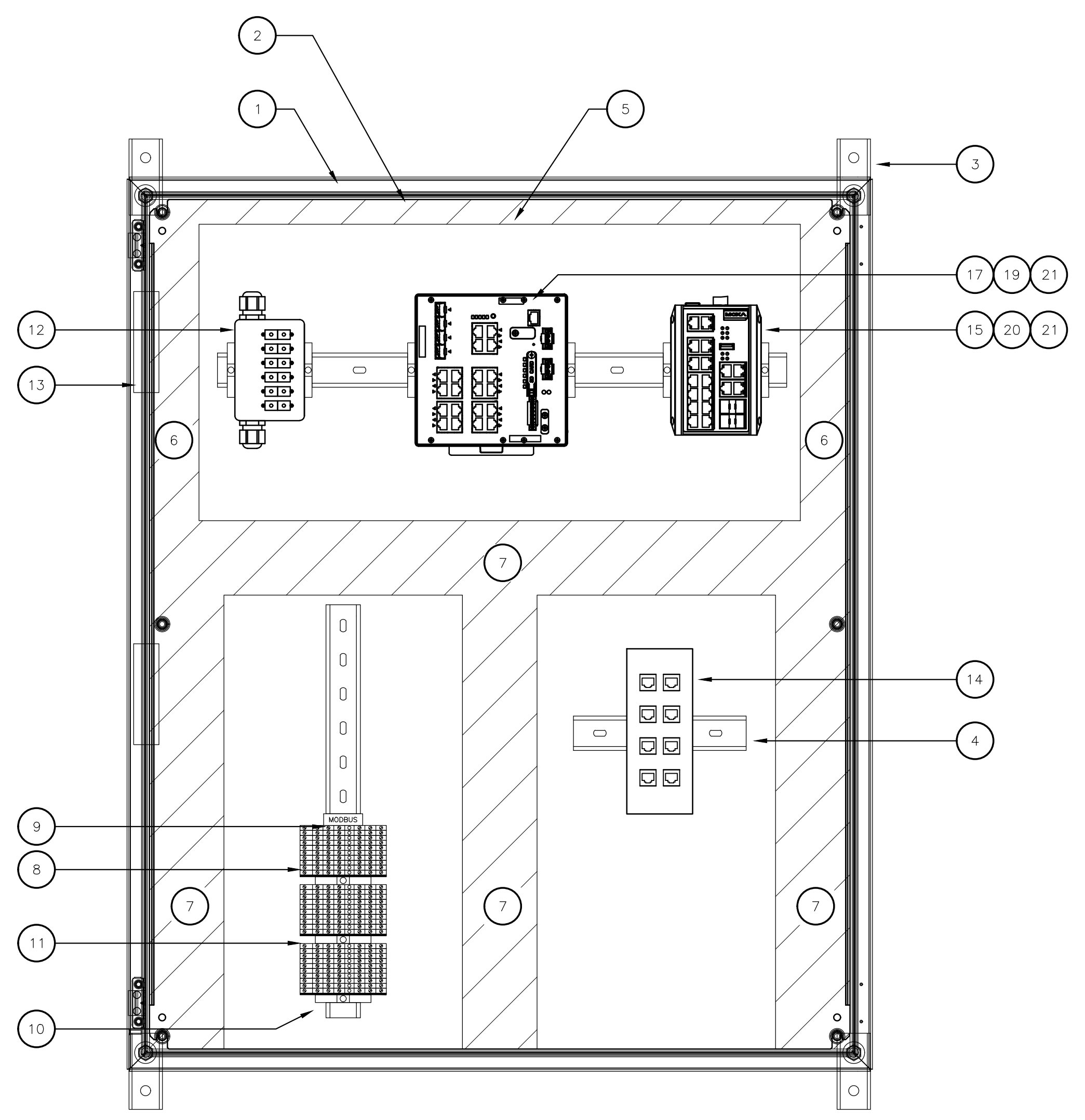
AUTHORIZED FOR RELEASE		
TITLE	DATE	BY
LTES PROJECT MANAGER		
LONEB PROJECT MANAGER		

CLIENT

NIGERIAN PETROLEUM DEVELOPMENT COMPANY
LONEB RESOURCES NIG. LTD

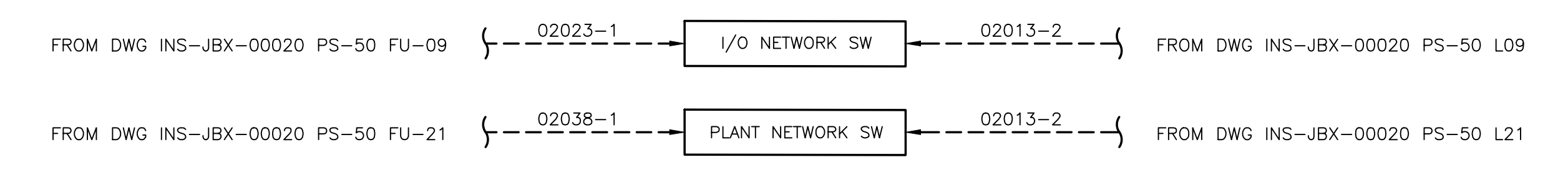
UTOROGU GAS EXPANSION PROJECT (NAG-3)
UTOROGU, NIGERIA
L1901-NPDC
INSTRUMENT
FIBER PATCH PANEL, NW-40

DRAWN BY	DATE	LTES NO: 19016-00	DWG. NO.	REV
		SCALE: AS NOTED	L1901-NPDC-INS-JBX-00006	B



FRONT INSIDE VIEW
SCALE: 1:4

00701
00704
00703
00704
00705
00706
00707
00708
00709
00710
00711
00712
00713
00714
00715
00716
00717
00718
00719
00720
00721
00722
00723
00724
00725



THIS DRAWING AND OTHER RELATED DOCUMENTS, IS A PROPERTY OF LONEB. IT SHALL ONLY BE USED FOR PURPOSES AUTHORIZED IN WRITING BY THE MANAGEMENT. ATTEMPTS OF COPYING, MODIFYING, STORING OR TRANSMITTING IN ANY FORM OR BY ANY MEANS (MECHANICAL, ELECTRONIC OR OTHERWISE) WITHOUT PRIOR AGREEMENT WITH LONEB IS HIGHLY PROHIBITED.


REF DWG. NO.	DESCRIPTION	REV	DESCRIPTION	DATE	BY	CHKD	LTES APV	LONEB APV	NPDC NWD APV
		B	ISSUED FOR APPROVAL	12/23/20	JJB	SRB	SCP		
		A	ISSUED FOR REVIEW	12/04/20	JJB	SRB	SCP		

AUTHORIZED FOR RELEASE		
TITLE	DATE	BY
LTES PROJECT MANAGER		
LONEB PROJECT MANAGER		




7801 E PEAKVIEW AVE, STE 150
CENTENNIAL, CO 80111, USA

CLIENT



NIGERIAN PETROLEUM DEVELOPMENT COMPANY



LONEB RESOURCES NIG. LTD

UTOROGU GAS EXPANSION PROJECT (NAG-3)
UTOROGU, NIGERIA
L1901-NPDC
INSTRUMENT
FIBER PATCH PANEL, NW-50

DRAWN BY	DATE	LTES NO: 19016-00	DWG. NO.	REV
		SCALE: AS NOTED	L1901-NPDC-INS-JBX-00007	B

Plotted by: JOSEPH BOND Date: 12/23/2020 12:55 PM Drawing: P:\High Country Sales\Utorogu_Cryo Drawings\Electrical-Instrumentation\L1901-NPDC-INS-JBX-00007.dwg