

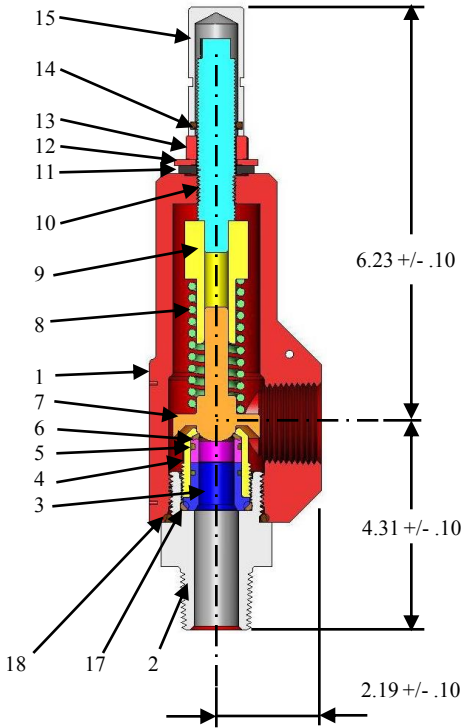


**Taylor Valve
Technology, Inc**

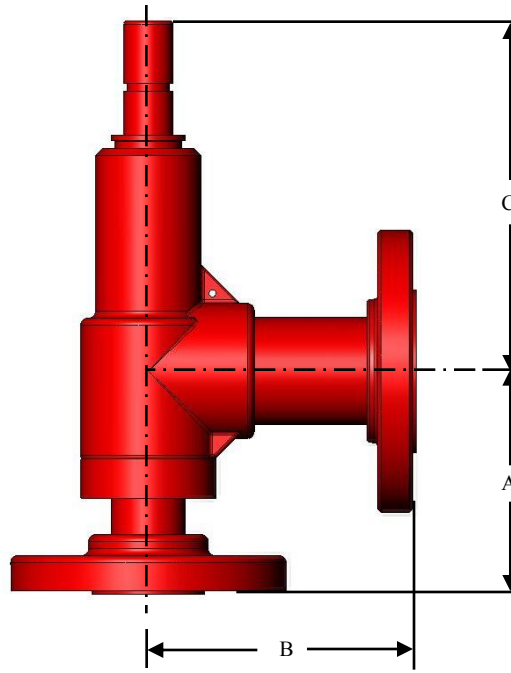
8200 Series Safety Relief Valve

2" MNPT x 2" FNPT G Orifice CS

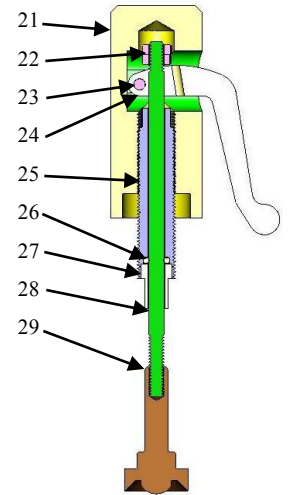
PART #: 82G0651311 521-650 PSIG RANGE



Threaded Configuration



Flanged Configuration



Lift Lever Components

ITEM NO.	QTY.	DESCRIPTION	MATERIAL
1	1	BODY MACHINED SRV2	WCB TO A216
2	1	SEAT FRAME 2" 600	CS TO SA36
3	1	SEAT INSERT HOLDER "G"	17-4 H900
4	1	SEAT BODY "G"	17-4 H900
5	2	O-RING 2-223	KFM 75 DURO
6	1	SEAT INSERT "G" ORIFICE	VITON 90 DURO
7 ¹	1	DISC SRV2" "G" ORIFICE	17-4 H900
8	1	SPRING	.375 MP35N
9	1	SPRING KEEPER SRV2	304SS A479
10 ¹	1	ADJUSTMENT SCREW SRV2	CS TO A108
11	1	THREAD SEAL	STEEL/BUNA
12	1	FLAT WASHER	CS
13	1	JAM NUT	CS
14 ²	1	O-RING 2-214	NBR 70 DURO
15 ²	1	THREAD PROTECTOR	1018/1020 CS A108
16 ³	1	LEAD SEAL 7/16" WIRE TIE 18" 3PLY	SS
17	1	O-RING 2-214	KFM 70DURO
18	1	O-RING 2-236	FKM 75 DURO
19 ³	2	DRIVE SCREW 0 X 1/8	18-8SS
20 ³	1	LABEL SRV #2	SS

ITEM NO.	QTY.	DESCRIPTION	MATERIAL
21	1	LIFT LEVER CAP	304 SS
22	2	LOCK NUT	STEEL
23	1	CLEVIS PIN	SS
24	1	LIFT HANDLE	ALUMINUM BRONZE
25	1	ADJUSTMENT SCREW	17-4 H900 A574
26	1	O-RING 2-110	EPDM
27	1	O-RING FOLLOWER	304 SS
28	1	STEM	304 SS
29	1	DISC	17-4 H900 A574

Notes:

¹ These parts are replaced w/ lift lever option.

² Remove these parts w/ lift lever option.

³ These parts are not shown.